



DATE: March 9, 2021

TO: Todd Bennett, Manager, BOW/DWPC/FOS

FROM: Joseph D. Stitely, P.E., BOW/DWPC/FOS

SUBJECT: City of Centreville
February 2, 2021 Complaint Inspection

On February 2, 2021, Ingrid Acevedo (BOW/Marion), Gregg Sanders (BOW/Collinsville) and I conducted a complaint investigation at the lift station located near the intersection of 56th Street and Central Avenue in Centreville, Illinois. The investigation was in response to a complaint with video footage received by Headquarters. The complaint reported that sewage was being bypassed from the station to a low-lying field in the area.

Upon arrival to the Centreville area, I contacted La Mar Gentry, Administrator for the City of Centreville, via cell phone. I explained that the Agency recently received a lift station bypass complaint. I asked that Cory Allen, City Maintenance Supervisor, accompany us to the lift station, and he agreed. At the station, we were contact by Cory Allen. The station is a dual pump, submersible type lift station. The station has a wet well and a valve vault with a control panel (see attached aerial site map and street view image). The station is completely enclosed by chain link fence.

We explained to Mr. Allen that that the Agency had received a recent complaint concerning bypass pumping to an adjacent field. He indicated that both the submersible pumps within the station were non-functioning. He indicated that the City is in the process of getting them repaired. He indicated that they currently use their 4-inch diesel driven pump to pump from the station's wet well to a "quick connect" coupler within the station's valve vault to prevent the station from overflowing or backing up into resident's homes.

I explained that the Agency recently received a video footage of the pump discharging to a nearby field. He explained that due to the recent heavy rains, the station's valve vault became filled with stormwater. He used the diesel pump to pump stormwater from the valve vault to access the "quick connect" coupler, not sewage from the wet well. Allen pumped the stormwater from the vault to a field on the north side of Central Avenue. He explained that after the coupler was accessible, they connected the discharge hose to the coupler and dropped the suction side into the wet well to bypass the station.

We asked Allen to open both the valve vault access hatch and the wet well access hatch so that they could be inspected. The liquid in the wet well was dark in color, and I noted some grease buildup within the station. Observing the valve vault, I noted that there was still clear liquid below the coupler in the valve vault. I inquired if the high-level alarm light for the station wet well was functional on the control panel. He indicated that the light was operational and that the local residents would contact him if the alarm light was ever on. He also explained that the station is checked every day including weekends to make sure that an overflow or a backup does not occur.

In addition, I contacted La Mar Gentry following the investigation and asked that he have their consulting engineer send me copies of the plan drawings for the lift station. Attached are copies of the station's plan drawings.

The station will be inspected in the future, following a significant precipitation event, to observe if a sanitary sewer overflow occurs.

JDS:Centreville Memo 020221/03-9-21

cc: Sanjay Sofat, BOW
Mike Roubitchek, DLC
BOW/DWPC/FOS-Collinsville
BOW/DWPC/RU

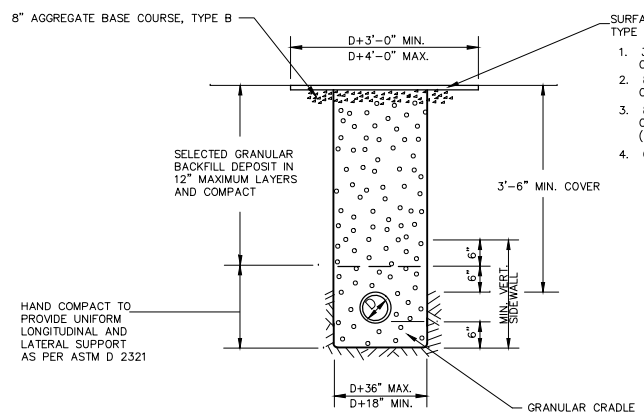
City of Centreville - 56th Street & Central Avenue Lift Station



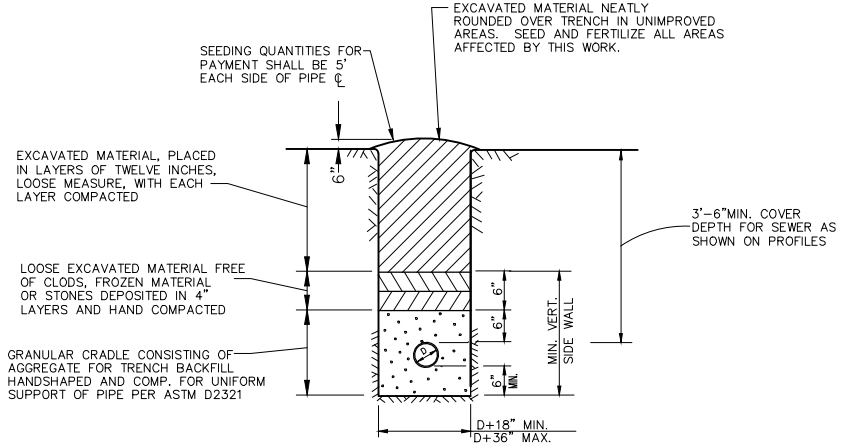
City of Centreville - 56th Street & Central Avenue Lift Station



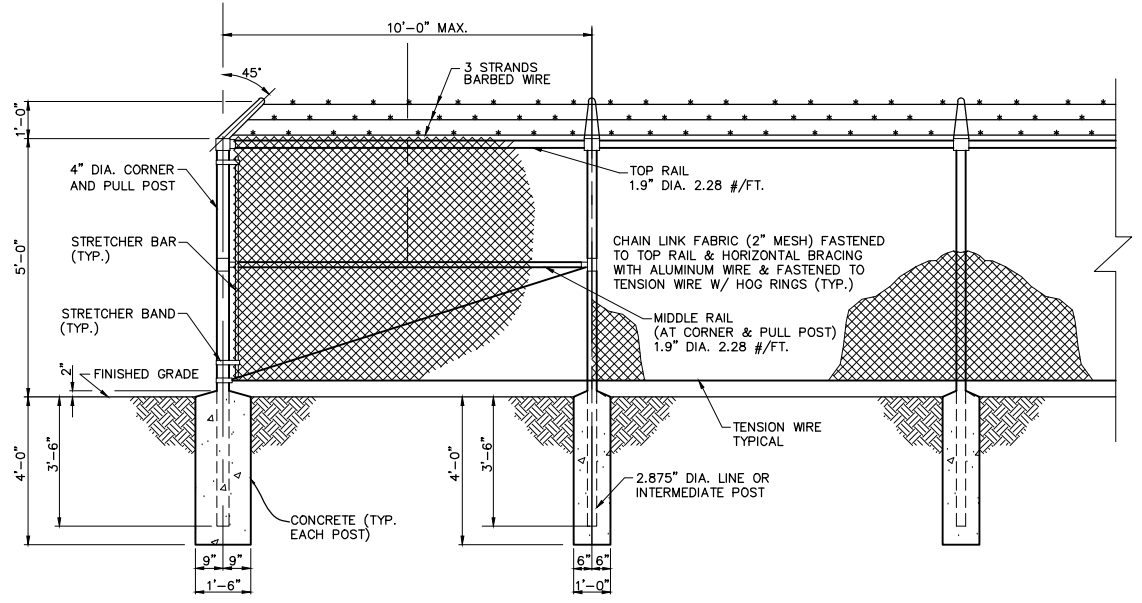
| REVISIONS | | |
|-----------|------|----------|
| NUMBER | DATE | INITIALS |
| | | |
| | | |



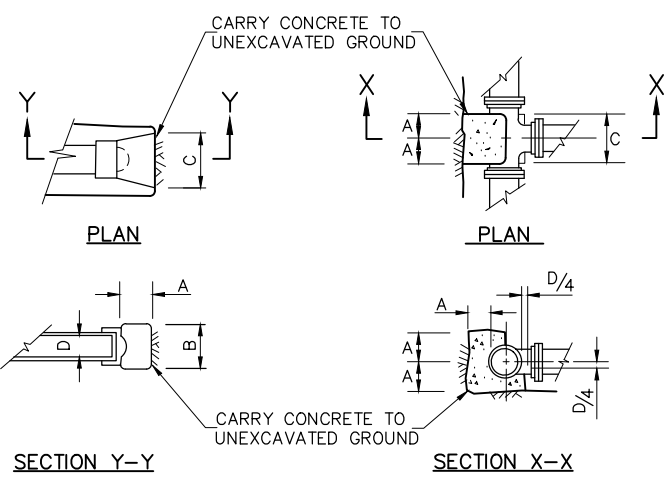
TRENCH DETAIL IMPROVED AREA
SCALE: NONE



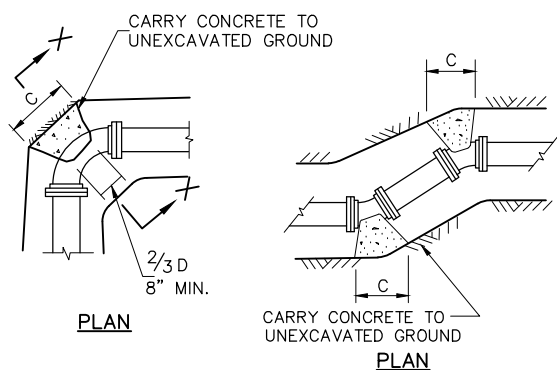
TRENCH DETAIL UNIMPROVED AREA
SCALE: NONE



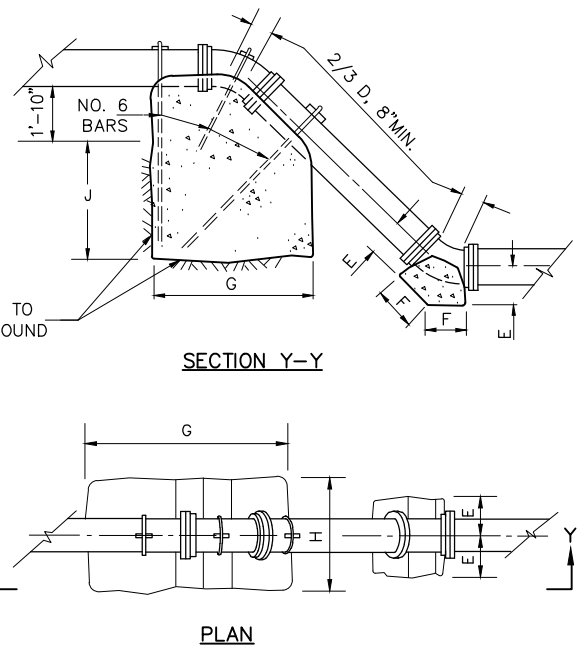
TYPICAL FENCE ELEVATION
SCALE: NO SCALE



THRUST BLOCK FOR TEES & HORIZ. BENDS
SCALE: NONE



THRUST BLOCK FOR VERT. 1/8 & 1/16 BENDS
SCALE: NONE



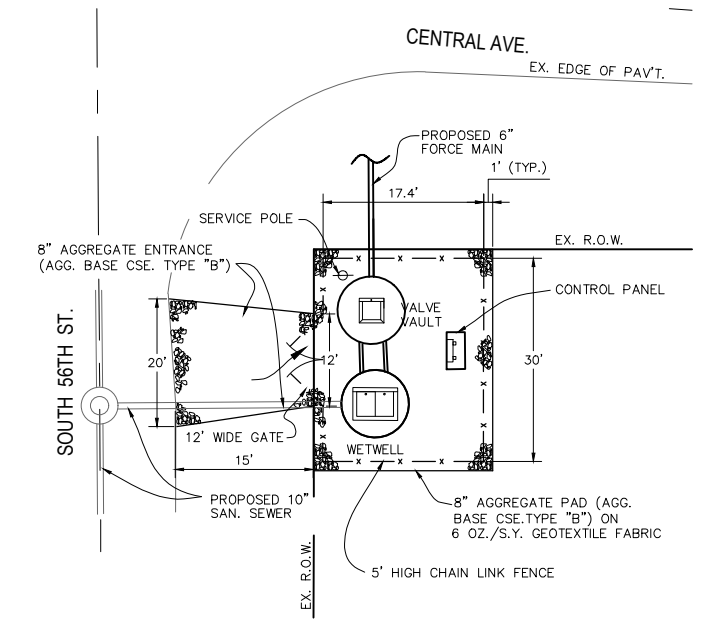
NOTE:
FOR PVC PIPE, SET SCREW RETAINER GLANDS MAY BE USED IN LIEU OF CONCRETE THRUST BLOCKS. USE MECHANICAL JOINT DUCTILE FITTINGS WITH A EBAA INC. SERIES 1100PV.
ALL SIZES ABOVE 12" CONCRETE THRUST BLOCKS SHALL NOT BE USED. USE EBAA SERIES 1100HV ON PVC SECTIONS FOR A DISTANCE EACH WAY FROM THE FITTING OR DEAD END AS FOLLOWS:

| SIZE | FTG. TYPE | 11 1/4' | 22 1/2' | 45' | 90' | TEES / DEAD ENDS |
|----------|-----------|---------|---------|-----|-----|------------------|
| 4" & 6" | 5' | 5' | 10' | 20' | 10' | |
| 8" & 10" | 10' | 10' | 20' | 30' | 15' | |

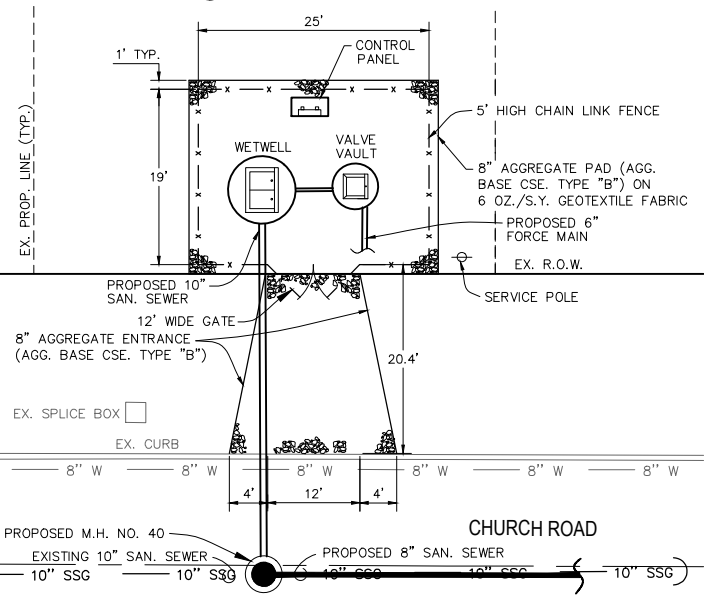
NOTE: IF REQUIRED LENGTH FALLS IN BETWEEN FTGS., EXTEND TO NEXT JOINT. THE ABOVE TABLE ALSO APPLIES TO DUCTILE IRON PIPE WITH RESTRAINED JOINTS.

NOTE: DIMENSIONS BASED ON 150 PSI TEST PRESSURE & 1000 LBS./ FT. BEARING CAPACITY OF SOIL.

| D | A | B | C | E | F | G | H | I | J |
|--------------|-------|-------|-------|-------|-------|-------|-------|-------|-----|
| 6" & SMALLER | 2'-8" | 1'-6" | 2'-0" | 12" | 12" | 3'-0" | 2'-0" | 2'-0" | 12" |
| 8" & 10" | 6'-8" | 2'-6" | 4'-0" | 2'-0" | 2'-0" | 4'-0" | 3'-0" | 3'-0" | 18" |



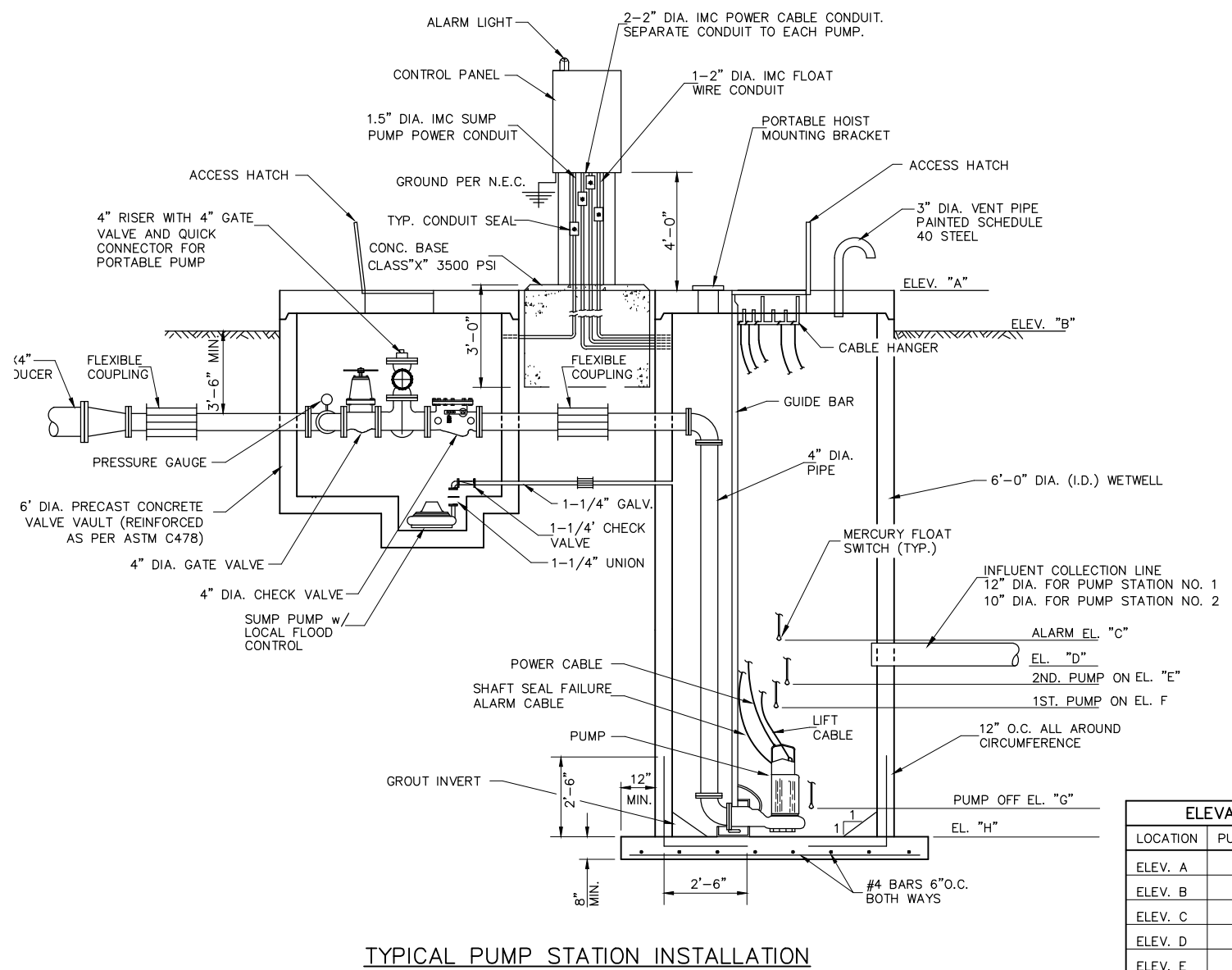
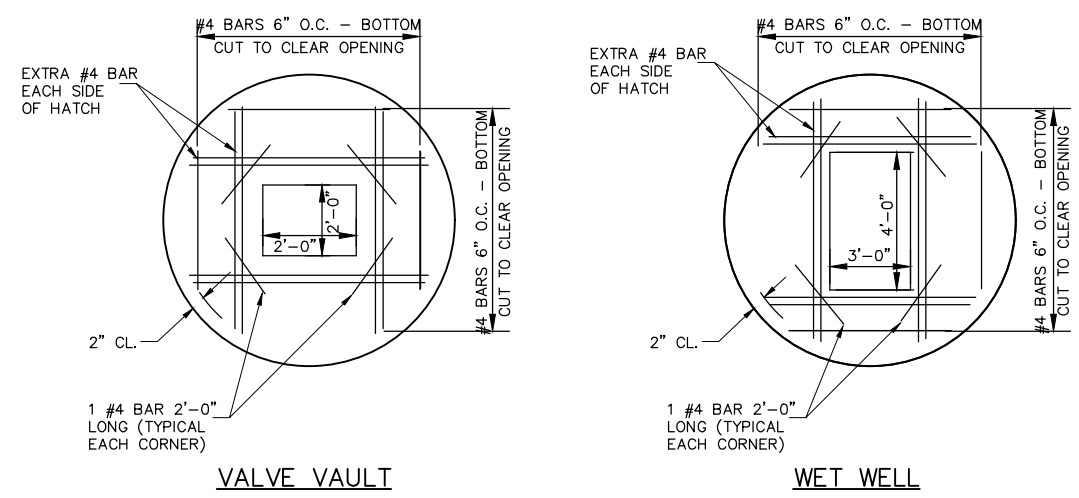
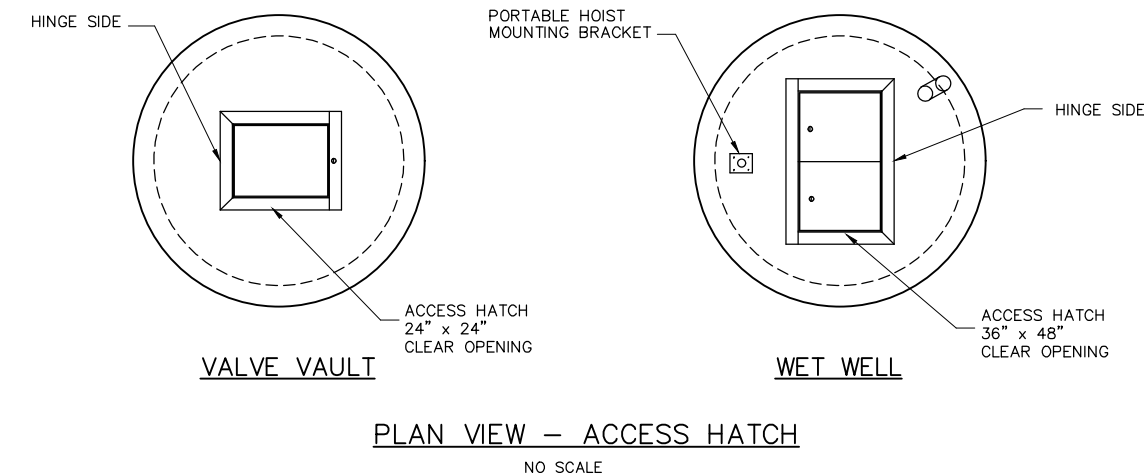
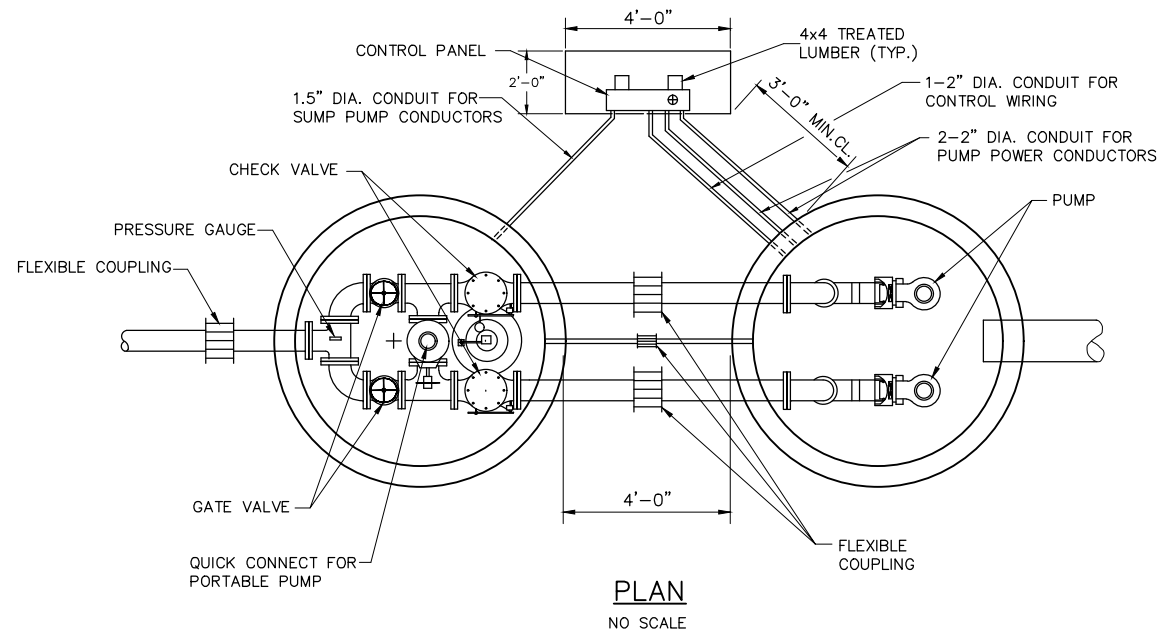
PUMPSTATION 1 PLAN
SCALE: 1"=10'



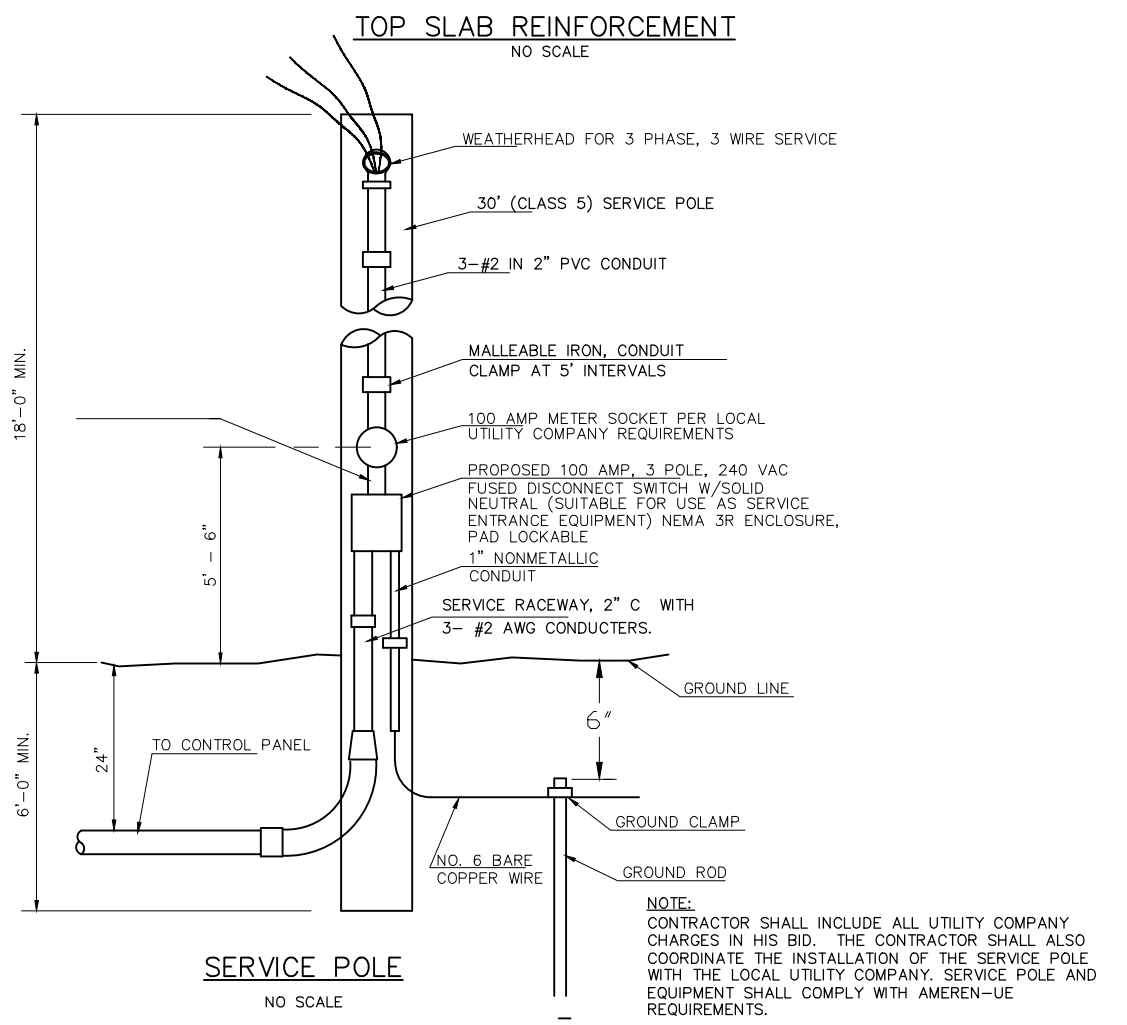
PUMPSTATION 2 PLAN
SCALE: 1"=10'

DAI
DESIGN ARCHITECTS, INC.
1400 E. TREMONT ST.
DUSTY OFFICE BOX 2040
EAST ST. LOUIS, IL 62203
TEL: 314.433.8800 FAX: 314.433.8801
NO. 5 BANK SQUARE
EAST ST. LOUIS, IL 62203
TEL: 314.433.8800 FAX: 314.433.8801
HR
HURST-ROSCHKE
ENGINEERS INC.
2817 HAZLET, IN 47602
TEL: 317.282.3400 FAX: 317.282.1513

PUMP STATION PLANS & MISCELLANEOUS DETAILS
PHASE III SANITARY SEWERS - CENTREVILLE
CITY OF CENTREVILLE
ST. CLAIR COUNTY, ILLINOIS
CHK: M.A.R. DWN: S.D.D.
PROJECT: 210107-1
DATE: AUG. 11, 2003
SHEET 30 OF 31



| ELEVATION SCHEDULE | | |
|--------------------|-------------|-------------|
| LOCATION | PUMP STA. 1 | PUMP STA. 2 |
| ELEV. A | 414.00 | 414.0± |
| ELEV. B | 413.6 | 413.4 |
| ELEV. C | 399.97 | 399.50 |
| ELEV. D | 399.97 | 399.50 |
| ELEV. E | 399.72 | 399.25 |
| ELEV. F | 399.47 | 399.00 |
| ELEV. G | 395.47 | 394.00 |
| ELEV. H | 394.47 | 393.00 |



NOTE:
CONTRACTOR SHALL INCLUDE ALL UTILITY COMPANY CHARGES IN HIS BID. THE CONTRACTOR SHALL ALSO COORDINATE THE INSTALLATION OF THE SERVICE POLE WITH THE LOCAL UTILITY COMPANY. SERVICE POLE AND EQUIPMENT SHALL COMPLY WITH AMEREN-UE REQUIREMENTS.

| REVISIONS | | |
|-----------|------|----------|
| NUMBER | DATE | INITIALS |
| | | |
| | | |

DATE: _____
LIC. EXP. _____

DAI
DESIGN ARCHITECTS, INC.

1400 E. TREMONT ST.
HILLSBORO, IL 62049
217.532.5600 217.532.3959
FAX 217.532.3212

HR
HURST-ROSCHÉ
ENGINEERS INC.

NO. 5 BANK SQUARE
TERRE HAUTE, IN 47602
618.898.8888 FAX 618.898.8393

2817 HARDING AVE.
TERRE HAUTE, IN 47602
618.232.3400 FAX 618.238.1515

PUMP STATION DETAILS
PHASE III SANITARY SEWERS CENTREVILLE
CITY OF CENTREVILLE
ST. CLAIR COUNTY, ILLINOIS

CHK J.W.R. DWN J.L.V.
PROJECT 210107-1
DATE AUG. 11, 2003
SHEET 32 OF 33

C3.2

HURST-ROSCHÉ ENGINEERS, INC. © 2001
DESIGN ARCHITECTS, INC. © 2001