

NPDES Permit No. IL0028070  
Notice No. JMC:14020501 Lemont.docx

Public Notice Beginning Date: **November 6, 2015**

Public Notice Ending Date: **December 7, 2015**

National Pollutant Discharge Elimination System (NPDES)  
Permit Program

PUBLIC NOTICE/FACT SHEET  
of  
Draft Reissued NPDES Permit to Discharge into Waters of the State

Public Notice/Fact Sheet Issued By:

Illinois EPA  
Division of Water Pollution Control  
Permit Section  
1021 North Grand Avenue East  
Post Office Box 19276  
Springfield, Illinois 62794-9276  
217/782-0610

Name and Address of Discharger:

Metropolitan Water Reclamation District of Greater Chicago  
100 East Erie Street  
Chicago, Illinois 60611

Name and Address of Facility:

MWRDGC Lemont WRP  
13 Stephen Street  
Lemont, Illinois  
(Cook County)

The Illinois Environmental Protection Agency (IEPA) has made a tentative determination to issue a NPDES Permit to discharge into the waters of the state and has prepared a draft Permit and associated fact sheet for the above named discharger. The Public Notice period will begin and end on the dates indicated in the heading of this Public Notice/Fact Sheet. All comments on the draft Permit and requests for hearing must be received by the IEPA by U.S. Mail, carrier mail or hand delivered by the Public Notice Ending Date. Interested persons are invited to submit written comments on the draft Permit to the IEPA at the above address. Commentors shall provide his or her name and address and the nature of the issues proposed to be raised and the evidence proposed to be presented with regards to those issues. Commentors may include a request for public hearing. Persons submitting comments and/or requests for public hearing shall also send a copy of such comments or requests to the Permit applicant. The NPDES Permit and notice numbers must appear on each comment page.

The application, engineer's review notes including load limit calculations, Public Notice/Fact Sheet, draft Permit, comments received, and other documents are available for inspection and may be copied at the IEPA between 9:30 a.m. and 3:30 p.m. Monday through Friday when scheduled by the interested person.

If written comments or requests indicates a significant degree of public interest in the draft Permit, the permitting authority may, at its discretion, hold a public hearing. Public notice will be given 45 days before any public hearing. Response to comments will be provided when the final Permit is issued. For further information, please call Jamie Cowles at 217/782-0610.

The following water quality and effluent standards and limitations were applied to the discharge:

Title 35: Environmental Protection, Subtitle C: Water Pollution, Chapter I: Pollution Control Board and the Clean Water Act were applied in determining the applicable standards, limitations and conditions contained in the draft Permit.

The applicant is engaged in treating domestic and industrial wastewater for the Metropolitan Water Reclamation District of Greater Chicago Lemont WRP service area.

The length of the Permit is approximately 5 years.

The main discharge number is 001. The seven day once in ten year low flow (7Q10) of the receiving stream, Chicago Sanitary and Ship Canal, is 1312.83 cfs.

The design average flow (DAF) for the existing facility is 2.3 million gallons per day (MGD) and the design maximum flow (DMF) for the facility is 4.0 MGD. Treatment consists of screening, grit removal, primary clarification, aeration, secondary clarification, sludge gravity thickening and sludge storage

The Lemont WRP receives flow from two sewer systems: a combined sewer system and a separate sewer system. All dry weather flows from both systems enter the wet well of the treatment plant and receive full treatment. During wet weather conditions, the first flush of the combined system enters the wet well of the treatment plant and receives full treatment. Additional flows from the combined sewers are diverted prior to any treatment to the new wet weather treatment facility. The wet weather treatment facility consists of primary treatment and disinfection. The wet weather treatment facility is designed to treat up to ten times the average dry weather flow from the combined sewer system. The new wet weather treatment facility discharges from Wet Weather Treatment Facility Outfall 003 to the Chicago Sanitary and Ship Canal. Excess flows from the separate sewer system utilize a newly constructed wet weather equalization basin. Combined Sewer Outfall 002 has been abandoned and excess wastewater will be diverted from the wet well to the wet weather equalization basin. The equalization basin outlet is designated as Outfall 004, which is a prohibited bypass from the proposed wet weather equalization basin. See page 7 of this Public Notice Fact Sheet for the flow schematic.

The Long Term Control Plan (LTCP) was submitted October 7, 2013 and approved on July 07, 2014. The LTCP, once implemented, is presumed to capture and treat all combined sewer wastewater. Construction activities included a wet weather treatment facility and a wet weather equalization basin. Post-construction monitoring is required to verify that the water quality standards are met.

This draft NPDES Permit does not increase the facility's DAF, DMF, concentration limits, and/or load limits.

Application is made for the existing discharge(s) which are located in Cook County, Illinois. The following information identifies the discharge point, receiving stream and stream classifications:

Outfall	Receiving Stream	Latitude	Longitude	Stream Classification	Integrity Rating
001	Chicago Sanitary and Ship Canal	41° 40' 46" North	87° 59' 55" West	Secondary Contact	Not Rated
003 (Wet Weather Treatment Facility)	Chicago Sanitary and Ship Canal	41° 40' 46" North	87° 59' 55" West	Secondary Contact	Not Rated
004 (Wet Weather Equalization Basin)	Chicago Sanitary and Ship Canal	41° 40' 48" North	87° 59' 53" West	Secondary Contact	Not Rated

This permit authorizes discharge from wet weather treatment facility CSOs in accordance with 35 Ill. Adm. Code 306.305.

To assist you further in identifying the location of the discharge(s) please see the attached map on page 8 of this Public Notice Fact Sheet.

The stream segment(s), Waterbody Segment GI-02, receiving the discharge from outfall(s) 001, 003, and 004 is on the 303(d) list of impaired waters.

The following parameters have been identified as the pollutants causing impairment:

Potential Causes	Uses Impaired
iron, manganese, dissolved oxygen, total phosphorus, and total dissolved solids	Indigenous Aquatic Life
polychlorinated biphenyls	Fish Consumption

The next stream segment 10 miles downstream, Waterbody Segment G-23, receiving the discharge from outfall(s) 001, 003, and 004 is on the 303(d) list of impaired waters.

The following parameters have been identified as the pollutants causing impairment:

<u>Potential Causes</u>	<u>Uses Impaired</u>
iron, manganese, dissolved oxygen, total phosphorus, and total dissolved solids	Indigenous Aquatic Life
polychlorinated biphenyls and mercury	Fish Consumption

The next stream segment 3.82 miles downstream, Waterbody Segment G-12 receiving the discharge from outfall(s) 001, 003, and 004 is on the 303(d) list of impaired waters.

The following parameters have been identified as the pollutants causing impairment:

<u>Potential Causes</u>	<u>Uses Impaired</u>
polychlorinated biphenyls and mercury	Fish Consumption

The next stream segment 8.5 miles downstream, Waterbody Segment G-24 receiving the discharge from outfall(s) 001, 003, and 004 is on the 303(d) list of impaired waters. G-24 is 5.18 miles in length.

The following parameters have been identified as the pollutants causing impairment:

<u>Potential Causes</u>	<u>Uses Impaired</u>
polychlorinated biphenyls and mercury	Fish Consumption
Fecal coliform	Primary Contact Recreation

Potential aquatic life impairment by phosphorus is based on interim assessment criterion. The actual aquatic life impairment by the phosphorus level detected in the Chicago Sanitary and Ship Canal and Segment G-23 of the Des Plaines River is unknown.

The MWRDGC – Lemont effluent travels a total of 27.5 miles before it joins the Kankakee River to form the Illinois River. There is no algae impairment noted in the 2014 303(d) list for this downstream continuum.

The discharge(s) from the facility are proposed to be monitored and limited at all times as follows:

Discharge Number(s) and Name(s): 001 WRP Outfall

Load limits computed based on a design average flow (DAF) of 2.3 MGD (design maximum flow (DMF) of 4.0 MGD).

Parameter	LOAD LIMITS lbs/day* DAF (DMF)			CONCENTRATION LIMITS mg/L			Regulation
	Monthly Average	Weekly Average	Daily Maximum	Monthly Average	Weekly Average	Daily Maximum	
CBOD <sub>5</sub> **	384 (667)	767 (1334)		20	40		35 IAC 304.120 40 CFR 133.102
Suspended Solids**	480 (834)	863 (1501)		25	45		35 IAC 304.120 40 CFR 133.102
PH	Shall be in the range of 6 to 9 Standard Units						35 IAC 304.125
Total Phosphorus (as P)	Monitor only						35 IAC 309.146
Total Nitrogen	Monitor only						35 IAC 309.146
Ammonia Nitrogen	Monitor Only						35 IAC 309.146
Dissolved Oxygen	Shall not be less than 4 mg/L						35 IAC 302.405

\*Load Limits are calculated by using the formula:  $8.34 \times (\text{Design Average and/or Maximum Flow in MGD}) \times (\text{Applicable Concentration in mg/L})$ .

\*\*BOD<sub>5</sub> and Suspended Solids (85% removal required): In accordance with 40 CFR 133, the 30-day average percent removal shall not be less than 85 percent except as provided in Sections 133.103 and 133.105.

This Permit contains an authorization to treat and discharge excess flow as follows:

Discharge Number(s) and Name(s): 003 Wet Weather Treatment Facility Outfall

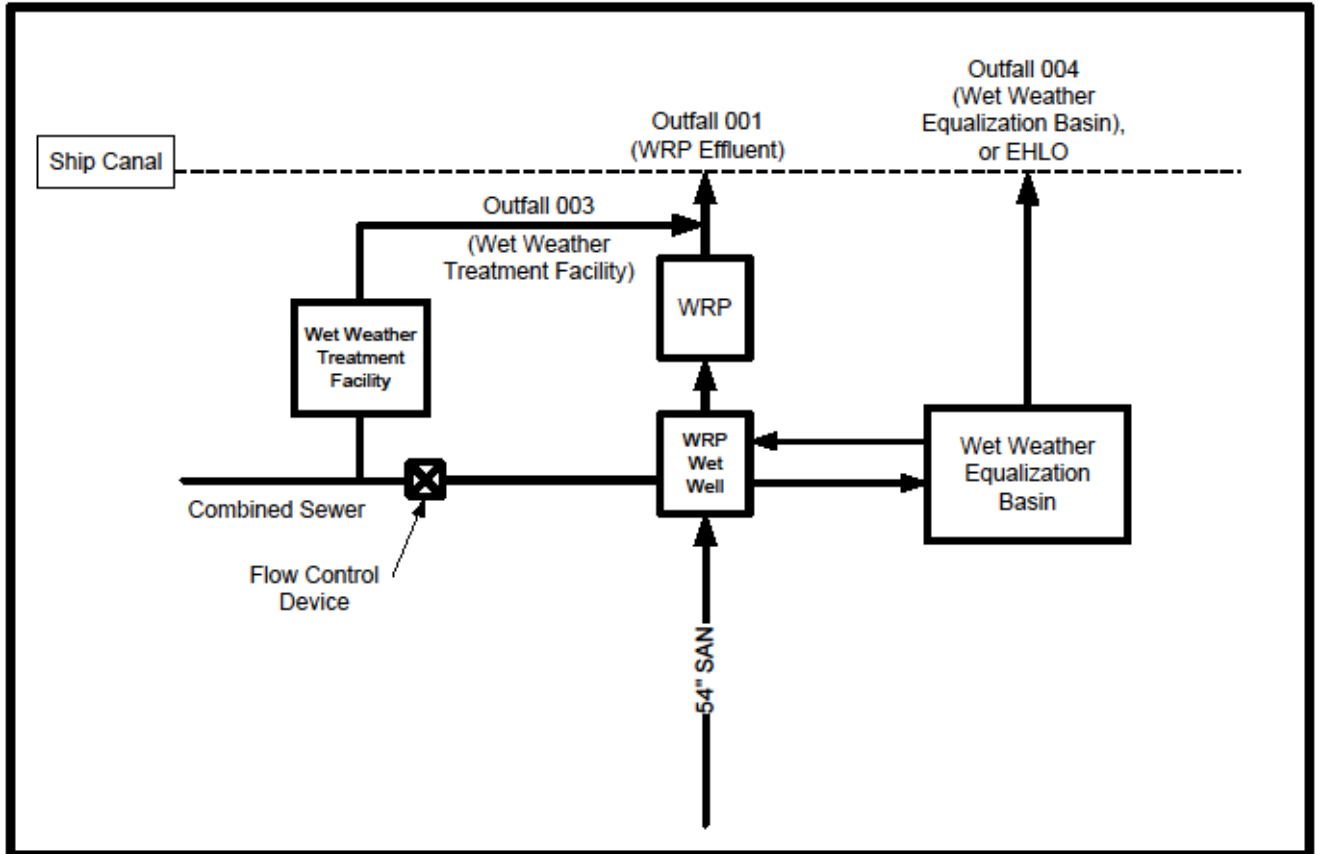
Parameter	CONCENTRATION LIMITS (mg/L)		Regulation
	Monthly Average	Weekly Average	
BOD <sub>5</sub>			40 CFR 133.102
Suspended Solids			40 CFR 133.102
pH	Shall be in the range of 6 to 9 Standard Units		35 IAC 304.125
Chlorine Residual	0.75		35 IAC 302.208
Fecal Coliform	Daily Maximum Shall Not Exceed 400 per 100 mL		35 IAC 304.121
Total Phosphorus (as P)	Monitor only		35 IAC 309.146
Dissolved Oxygen	Monitor only		35 IAC 302.206

This draft Permit also contains the following requirements as special conditions:

1. Reopening of this Permit to include different final effluent limitations.
2. Operation of the facility by or under the supervision of a certified operator.
3. Submission of the operational data in a specified form and at a required frequency at any time during the effective term of this Permit.
4. More frequent monitoring requirement without Public Notice in the event of operational, maintenance or other problems resulting in possible effluent deterioration.
5. Prohibition against causing or contributing to violations of water quality standards.
6. Effluent sampling point location.
7. Controlling the sources of infiltration and inflow into the sewer system.
8. A requirement to monitor and a limit of 0.05 mg/L for residual chlorine when it is used.
9. The Permittee implements and administers an industrial pretreatment program pursuant to 40 CFR § 403.
10. Burden reduction.
11. Submission of annual fiscal data.
12. The Permittee is required to perform biomonitoring tests in the 18th, 15th, 12th and 9th months prior to the expiration date of the Permit, and to submit the results of such tests to the IEPA within one week of receiving the results from the laboratory.
13. Submission of semi annual reports indicating the quantities of sludge generated and disposed.
14. Recording the monitoring results on Discharge Monitoring Report Forms using one such form for each outfall each month and submitting the forms to IEPA each month.
15. Alternative or additional final limitations pursuant to the Use Attainability Analysis.
16. Capacity, Management, Operations and Maintenance (CMOM) requirements.
17. Emergency high level outfall requirements.

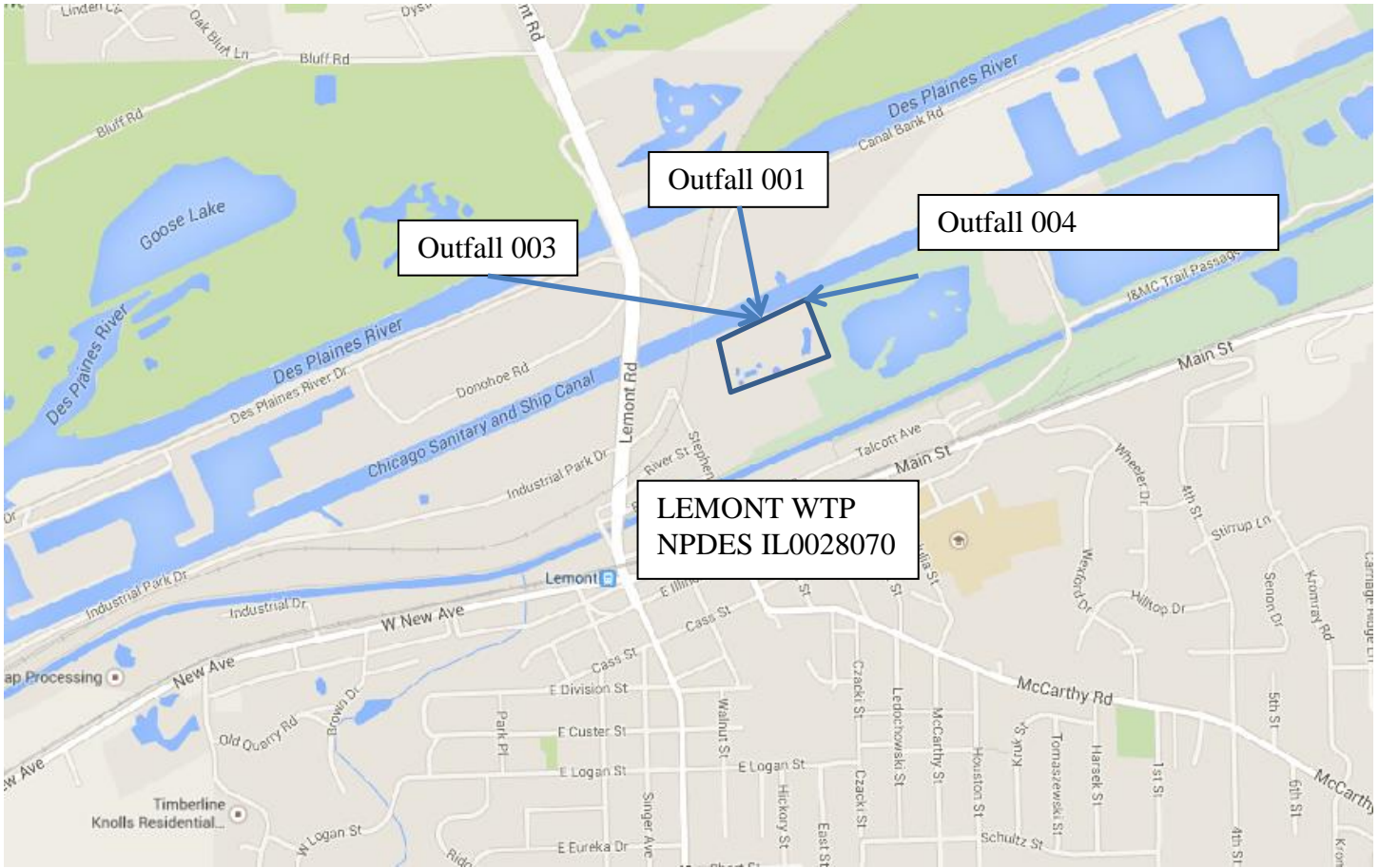
18. The provisions of 40 CFR Section 122.41(m) & (n) are incorporated herein by reference.
19. Optimization of existing treatment facilities.
20. Submission of phosphorus removal feasibility study.
21. The Permittee shall submit a monitoring plan that will demonstrate that the CSO discharge does not cause or contribute to a violation of any applicable water quality standard.
22. Chicago Area Waterway System Use Attainability Analysis.

### Sewer System Schematic for Proposed Conditions



Notes:

- 1) "EHLO" stands for Emergency High Level Overflow. "WRP" stands for Water Reclamation Plant.
- 2) Wet weather treatment facility is located upstream of treatment plant headworks.
- 3) Wet weather treatment facility consists of primary treatment and disinfection.





NPDES Permit No. IL0028070

Illinois Environmental Protection Agency

Division of Water Pollution Control

1021 North Grand Avenue East

Post Office Box 19276

Springfield, Illinois 62794-9276

NATIONAL POLLUTANT DISCHARGE ELIMINATION SYSTEM

Reissued (NPDES) Permit

Expiration Date:

Issue Date:

Effective Date:

Name and Address of Permittee:

Facility Name and Address:

Metropolitan Water Reclamation District of Greater Chicago  
100 East Erie Street  
Chicago, Illinois 60611

MWRDGC Lemont WRP  
13 Stephen Street  
Lemont, Illinois  
(Cook County)

Receiving Waters: Chicago Sanitary and Ship Canal

In compliance with the provisions of the Illinois Environmental Protection Act, Title 35 of the Ill. Adm. Code, Subtitle C, Chapter I, and the Clean Water Act (CWA), the above-named Permittee is hereby authorized to discharge at the above location to the above-named receiving stream in accordance with the Effluent Limitations, Monitoring, and Reporting requirements; Special Conditions and Attachment H Standard Conditions attached herein.

Permittee is not authorized to discharge after the above expiration date. In order to receive authorization to discharge beyond the expiration date, the Permittee shall submit the proper application as required by the Illinois Environmental Protection Agency (IEPA) not later than 180 days prior to the expiration date.

Alan Keller, P.E.  
Manager, Permit Section  
Division of Water Pollution Control

SAK:JMC:14020501 bah IL0028070 Lemont.docx

NPDES Permit No. IL0028070

Effluent Limitations, Monitoring, and Reporting

FINAL

Discharge Number(s) and Name(s): 001 WRP Outfall

Load limits computed based on a design average flow (DAF) of 2.3 MGD (design maximum flow (DMF) of 4.0 MGD).

From the effective date of this Permit until the expiration date, the effluent of the above discharge(s) shall be monitored and limited at all times as follows:

Parameter	LOAD LIMITS lbs/day DAF (DMF)*			CONCENTRATION LIMITS MG/L			Sample Frequency	Sample Type
	Monthly Average	Weekly Average	Daily Maximum	Monthly Average	Weekly Average	Daily Maximum		
Flow (MGD)							Continuous	
CBOD <sub>5</sub> ** <sup>(1)</sup>	384 (667)	767 (1334)		20	40		2 Days/Week	Composite
Suspended Solids <sup>(1)</sup>	480 (834)	863 (1501)		25	45		2 Days/Week	Composite
pH	Shall be in the range of 6 to 9 Standard Units						2 Days/Week	Grab
Total Phosphorus (as P)	Monitor Only						1 Day/Week	Composite
Total Nitrogen	Monitor Only						1 Day/Month	Composite
Ammonia Nitrogen	Monitor Only						1 Day/Month	Composite
Dissolved Oxygen	Shall not be less than 4 mg/L						2 Days/Week	Composite

\*Load limits based on design maximum flow shall apply only when flow exceeds design average flow.

\*\*Carbonaceous BOD<sub>5</sub> (CBOD<sub>5</sub>) testing shall be in accordance with 40 CFR 136.

Flow shall be reported on the Discharge Monitoring Report (DMR) as monthly average and daily maximum.

pH shall be reported on the DMR as minimum and maximum value.

Dissolved oxygen shall be reported on the DMT as a minimum value.

<sup>(1)</sup>BOD<sub>5</sub> and Suspended Solids (85% removal required): In accordance with 40 CFR 133, the 30-day average percent removal shall not be less than 85 percent. The percent removal need not be reported to the IEPA on DMRs but influent and effluent data must be available, as required elsewhere in this Permit, for IEPA inspection and review. For measuring compliance with this requirement, 5 mg/L shall be added to the effluent CBOD concentration to determine the effluent BOD concentration or laboratory analysis for the determination of BOD may be used. Percent removal is a percentage expression of the removal efficiency across a treatment plant for a given pollutant parameter, as determined from the 30-day average values of the raw wastewater influent concentrations to the facility and the 30-day average values of the effluent pollutant concentrations for a given time period.

## NPDES Permit No. IL0028070

Effluent Limitations, Monitoring, and Reporting

## FINAL

Discharge Number(s) and Name(s): 003 Wet Weather Treatment Facility Outfall

These flow facilities shall not be utilized until all dry weather flows and the first flush flow from the combined sewer area is treated in the main treatment plant.

From the effective date of this permit until the expiration date, the effluent of the above discharge(s) shall be monitored and limited at all times as follows:

<u>Parameter</u>	<u>CONCENTRATION LIMITS (mg/L)</u>		<u>Sample Frequency</u>	<u>Sample Type</u>
	<u>Monthly Average</u>	<u>Weekly Average</u>		
Total Flow (MG)			Daily When Discharging	Continuous
BOD <sub>5</sub>	Monitor only		Daily When Discharging	Grab
Suspended Solids	Monitor only		Daily When Discharging	Grab
pH	Shall be in the range of 6 to 9 Standard Units		Daily When Discharging	Grab
Chlorine Residual	0.75		Daily When Discharging	Grab
Fecal Coliform	Daily Maximum shall not exceed 400 per 100 mL		Daily When Discharging	Grab
Total Phosphorus (as P)	Monitor only		Daily When Discharging	Grab
Dissolved Oxygen	Monitor only		Daily When Discharging	Grab

\*An explanation shall be provided in the comment section of the DMR should these facilities be used when the main treatment facility has not received first flush.

Total flow in million gallons shall be reported on the Discharge Monitoring Report (DMR) in the quantity maximum column.

Report the number of days of discharge in the comments section of the DMR.

BOD<sub>5</sub> and Suspended Solids shall be reported on the DMR as a monthly average concentration.

pH shall be reported on the DMR as a minimum and a maximum value.

Chlorine Residual shall be reported on the DMR as monthly average value.

Fecal Coliform shall be reported on the DMR as a daily maximum.

Total Phosphorus shall be reported on the DMR as a maximum value.

NPDES Permit No. IL0028070

Influent Monitoring, and Reporting

The influent to the plant shall be monitored as follows:

Parameter	Sample Frequency	Sample Type
Flow (MGD)	Continuous	
BOD <sub>5</sub>	2 Days/Week	Composite
Suspended Solids	2 Days/Week	Composite

Influent samples shall be taken at a point representative of the influent.

Flow (MGD) shall be reported on the Discharge Monitoring Report (DMR) as monthly average and daily maximum.

BOD<sub>5</sub> and Suspended Solids shall be reported on the DMR as a monthly average concentration.

Special Conditions

SPECIAL CONDITION 1. This Permit may be modified to include different final effluent limitations or requirements which are consistent with applicable laws and regulations. The IEPA will public notice the permit modification.

SPECIAL CONDITION 2. The use or operation of this facility shall be by or under the supervision of a Certified Class 1 operator.

SPECIAL CONDITION 3. The IEPA may request in writing submittal of operational information in a specified form and at a required frequency at any time during the effective period of this Permit.

SPECIAL CONDITION 4. The IEPA may request more frequent monitoring by permit modification pursuant to 40 CFR § 122.63 and Without Public Notice.

SPECIAL CONDITION 5. The effluent, alone or in combination with other sources, shall not cause a violation of any applicable water quality standard outlined in 35 Ill. Adm. Code 302.

SPECIAL CONDITION 6. Samples taken in compliance with the effluent monitoring requirements shall be taken at a point representative of the discharge, but prior to entry into the receiving stream.

Samples for Outfalls 001 and 003 shall be taken at a point prior to admixture of the discharges.

SPECIAL CONDITION 7. This Permit may be modified to include requirements for the Permittee on a continuing basis to evaluate and detail its efforts to effectively control sources of infiltration and inflow into the sewer system and to submit reports to the IEPA if necessary.

SPECIAL CONDITION 8. For Discharge No. 001, any use of chlorine to control slime growths, odors or as an operational control, etc. shall not exceed the limit of 0.05 mg/L (daily maximum) total residual chlorine in the effluent. Sampling is required on a daily grab basis during the chlorination process. Reporting shall be submitted on the DMR's on a monthly basis.

SPECIAL CONDITION 9.

A. Publicly Owned Treatment Works (POTW) Pretreatment Program General Provisions

1. The Permittee shall implement and enforce its approved Pretreatment Program which was approved on November 18, 1985 and all approved subsequent modifications thereto. The Permittee shall maintain legal authority adequate to fully implement the Pretreatment Program in compliance with Federal (40 CFR 403), State, and local laws and regulations. All definitions in this section unless specifically otherwise defined in this section, are those definitions listed in 40 CFR 403.3. USEPA Region 5 is the Approval Authority for the administration of pretreatment programs in Illinois. The Permittee shall:
  - a. Develop and implement procedures to ensure compliance with the requirements of a pretreatment program as specified in 40 CFR 403.8 (f) (2).
  - b. Carry out independent inspection and monitoring procedures at least once per year, which will determine whether each significant industrial user (SIU) is in compliance with applicable pretreatment standards;
  - c. Evaluate whether each SIU needs a slug control plan or other action to control slug discharges. If needed, the SIU slug control plan shall include the items specified in 40 CFR 403.8(f)(2)(vi). For Industrial Users (IUs) identified as significant prior to November 14, 2005, this evaluation must have been conducted at least once by October 14, 2006; additional SIUs must be evaluated within 1 year of being designated an SIU;
  - d. Update its inventory of Industrial Users (IUs) at least annually and as needed to ensure that all SIUs are properly identified, characterized, and categorized;
  - e. Receive and review self-monitoring and other IU reports to determine compliance with all pretreatment standards and requirements, and obtain appropriate remedies for noncompliance by any IU with any pretreatment standard and/or requirement;
  - f. Investigate instances of noncompliance, collect and analyze samples, and compile other information with sufficient care as to produce evidence admissible in enforcement proceedings, including judicial action;
  - g. Require development, as necessary, of compliance schedules by each industrial user to meet applicable pretreatment standards; and,
  - h. Maintain an adequate revenue structure and staffing level for continued operation of the Pretreatment Program.
2. The Permittee shall issue/reissue permits or equivalent control mechanisms to all SIUs prior to expiration of existing permits or prior to commencement of discharge in the case of new discharges. The permits at a minimum shall include the elements listed in 40 CFR § 403.8(f)(1)(iii)(B).

Special Conditions

3. The Permittee shall develop, maintain, and enforce, as necessary, local limits to implement the general and specific prohibitions in 40 CFR § 403.5 which prohibit the introduction of any pollutants which cause pass through or interference and the introduction of specific pollutants to the waste treatment system from any source of nondomestic discharge.
4. In addition to the general limitations expressed in Paragraph 3 above, applicable pretreatment standards must be met by all industrial users of the POTW. These limitations include specific standards for certain industrial categories as determined by Section 307(b) and (c) of the Clean Water Act, State limits, or local limits, whichever are more stringent.
5. The USEPA and IEPA individually retain the right to take legal action against any industrial user and/or the POTW for those cases where an industrial user has failed to meet an applicable pretreatment standard by the deadline date regardless of whether or not such failure has resulted in a permit violation.
6. The Permittee shall establish agreements with all contributing jurisdictions, as necessary, to enable it to fulfill its requirements with respect to all IUs discharging to its system.
7. Unless already completed, the Permittee shall within six (6) months of the effective date of this Permit submit to USEPA and IEPA a proposal to modify and update its approved Pretreatment Program to incorporate Federal revisions to the general pretreatment regulations. The proposal shall include all changes to the approved program and the sewer use ordinance which are necessary to incorporate the revisions of the Pretreatment Streamlining Rule (which became effective on November 16, 1988 and August 23, 1990), which are considered required changes, as described in the Pretreatment Streamlining Rule Fact Sheet 2.0: Required changes, available at: [http://cfpub.epa.gov/npdes/whatsnew.cfm?program\\_id=3](http://cfpub.epa.gov/npdes/whatsnew.cfm?program_id=3). This includes any necessary revisions to the Permittee's Enforcement Response Plan (ERP).
  - a. The Permittee will review and modify, as appropriate, its existing industrial pretreatment program to minimize combined sewer overflow impacts related to discharges to the collection system from non-domestic users. This review shall include: (1) An inventory of non-domestic discharges to the combined sewers system, focusing on those dischargers with the greatest potential to impact CSOs; (2) Assessment of the impact of these discharges on CSOs; and, (3) Evaluation of feasible modifications to the pretreatment program to minimize CSO impacts, including the prohibition of batch discharges during wet weather events.
  - b. The Permittee shall maintain all current pollution prevention (P2) activities with the Illinois Waste Management and Research Center (WMRC)/ University of Illinois Sustainable Technology Center (ISTC). Reports on pollution prevention activities shall be included in the annual pretreatment report submitted to the Agency.
8. Unless already completed in the past 12 months, within 12 months from the effective date of this permit, the Permittee shall conduct a technical re-evaluation of its local limitations consistent with U.S. EPA's Local Limits Development Guidance (July 2004), and submit the evaluation and any proposed revisions to its local limits to IEPA and U.S. EPA Region 5 for review and approval. U.S. EPA Region 5 requests the Permittee to submit the evaluation and any proposed revisions to its local limits on the spreadsheet found at <http://www.epa.gov/region5/water/npdestek/LocalLmt.XLS>. To demonstrate technical justification for new local industrial user limits or justification for retaining existing limits, the following information must be submitted to U.S. EPA:
  - a. Total plant flow
  - b. Domestic/commercial pollutant contributions for pollutants of concern
  - c. Industrial pollutant contributions and flows
  - d. Current POTW pollutant loadings, including loadings of conventional pollutants
  - e. Actual treatment plant removal efficiencies, as a decimal (primary, secondary, across the wastewater treatment plant)
  - f. Safety factor to be applied
  - g. Identification of applicable criteria:
    - i. NPDES permit conditions
      - Specific NPDES effluent limitations
      - Water-quality criteria
      - Whole effluent toxicity requirements
      - Criteria and other conditions for sludge disposal
    - ii. Biological process inhibition
      - Nitrification
      - Sludge digester
    - iii. Collection system problems
  - h. The Permittee's sludge disposal methods (land application, surface disposal, incineration, landfill)
  - i. Sludge flow to digester
  - j. Sludge flow to disposal
  - k. % solids in sludge to disposal, not as a decimal
  - l. % solids in sludge to digester, not as a decimal
  - m. Plant removal efficiencies for conventional pollutants
  - n. If revised industrial user discharge limits are proposed, the method of allocating available pollutants loads to industrial users

Special Conditions

- o. A comparison of maximum allowable headworks loadings based on all applicable criteria listed in g, above
  - p. Pollutants that have caused:
    - i. Violations or operational problems at the POTW, including conventional pollutants
    - ii. Fires and explosions
    - iii. Corrosion
    - iv. Flow obstructions
    - v. Increased temperature in the sewer system
    - vi. Toxic gases, vapors or fumes that caused acute worker health and safety problems
    - vii. Toxicity found through Whole Effluent Toxicity testing
    - viii. Inhibition
  - q. Pollutants designated as "monitoring only" in the NPDES permit
  - r. Supporting data, assumptions, and methodologies used in establishing the information a through q above
9. The Permittee's Pretreatment Program has been modified to incorporate a Pretreatment Program Amendment approved on February 6, 1995, July 24, 1997, and September 27, 2005. The amendment became effective on the date of approval and is a fully enforceable provision of your Pretreatment Program.
- Modifications of your Pretreatment Program shall be submitted in accordance with 40 CFR § 403.18, which established conditions for substantial and nonsubstantial modifications. All requests should be sent in electronic format to [r5npdes@epa.gov](mailto:r5npdes@epa.gov), attention: NPDES Program Branch.
- B. Reporting and Records Requirements**
1. The Permittee shall provide an annual report briefly describing the permittee's pretreatment program activities over the previous calendar year. Permittees who operate multiple plants may provide a single report providing all plant-specific reporting requirements are met. Such report shall be submitted no later than June 30 of each year to USEPA, Region 5, 77 West Jackson Blvd., Chicago, Illinois 60604, Attention: Water Enforcement & Compliance Assurance Branch, and shall be in the format set forth in IEPA's POTW Pretreatment Report Package which contains information regarding:
    - a. An updated listing of the Permittee's significant industrial users, indicating additions and deletions from the previous year, along with brief explanations for deletions. The list shall specify which categorical Pretreatment standards, if any, are applicable to each Industrial User.
    - b. A descriptive summary of the compliance activities including numbers of any major enforcement actions, (i.e., administrative orders, penalties, civil actions, etc.), and the outcome of those actions. This includes an assessment of the compliance status of the Permittee's industrial users and the effectiveness of the Permittee's Pretreatment Program in meeting its needs and objectives.
    - c. A description of all substantive changes made to the Permittee's Pretreatment Program. Changes which are "substantial modifications" as described in 40 CFR § 403.18(c) must receive prior approval from the USEPA.
    - d. Results of sampling and analysis of POTW influent, effluent, and sludge.
    - e. A summary of the findings from the priority pollutants sampling. As sufficient data becomes available the IEPA may modify this Permit to incorporate additional requirements relating to the evaluation, establishment, and enforcement of local limits for organic pollutants. Any permit modification is subject to formal due process procedures pursuant to State and Federal law and regulation. Upon a determination that an organic pollutant is present that causes interference or pass through, the Permittee shall establish local limits as required by 40 CFR § 403.5(c).
  2. The Permittee shall maintain all pretreatment data and records for a minimum of three (3) years. This period shall be extended during the course of unresolved litigation or when requested by the IEPA or the Regional Administrator of USEPA. Records shall be available to USEPA and the IEPA upon request.
  3. The Permittee shall establish public participation requirements of 40 CFR 25 in implementation of its Pretreatment Program. The Permittee shall at least annually, publish the names of all IU's which were in significant noncompliance (SNC), as defined by 40 CFR § 403.8(f)(2)(viii), in a newspaper of general circulation that provides meaningful public notice within the jurisdictions served by the Permittee or based on any more restrictive definition of SNC that the POTW may be using.
  4. The Permittee shall provide written notification to the USEPA, Region 5, 77 West Jackson Blvd., Chicago, Illinois 60604, Attention: NPDES Programs Branch and to the Deputy Counsel for the Division of Water Pollution Control, IEPA, 1021 North Grand Avenue East, P.O. Box 19276, Springfield, Illinois 62794-9276 within five (5) days of receiving notice that any Industrial User of its sewage treatment plant is appealing to the Circuit Court any condition imposed by the Permittee in any permit issued to the Industrial User by Permittee. A copy of the Industrial User's appeal and all other pleadings filed by all parties shall be mailed to the Deputy Counsel within five (5) days of the pleadings being filed in Circuit Court.

Special ConditionsC. Monitoring Requirements

1. The Permittee shall monitor its influent, effluent and sludge and report concentrations of the following parameters on monitoring report forms provided by the IEPA and include them in its annual report. Influent and effluent samples shall be taken at weekly intervals at the indicated reporting limit or better and consist of a 24-hour composite unless otherwise specified below. Monthly sludge samples shall be taken of final sludge and consist of a grab sample reported on a dry weight basis.

STORET CODE	PARAMETER	Minimum reporting limit
01097	Antimony	0.07 mg/L
01002	Arsenic	0.05 mg/L
01007	Barium	0.5 mg/L
01012	Beryllium	0.005 mg/L
01027	Cadmium	0.001 mg/L
01032	Chromium (hex) (grab not to exceed 24 hours)*	0.01 mg/L
01034	Chromium (total)	0.05 mg/L
01042	Copper	0.005 mg/L
00722	Cyanide* (grab) (available **** or amenable to chlorination)	5.0 ug/L
00720	Cyanide (total) (grab)	5.0 ug/L
00951	Fluoride*	0.1 mg/L
01045	Iron (total)	0.5 mg/L
01046	Iron (Dissolved)*	0.5 mg/L
01051	Lead	0.05 mg/L
01055	Manganese	0.5 mg/L
71900	Mercury (effluent grab)***	1.0 ng/L**
01067	Nickel	0.005 mg/L
00556	Oil (hexane soluble or equivalent) (Grab Sample only)*	5.0 mg/L
32730	Phenols (grab)	0.005 mg/L
01147	Selenium	0.005 mg/L
01077	Silver (total)	0.003 mg/L
01059	Thallium	0.3 mg/L
01092	Zinc	0.025 mg/L

Minimum reporting limits are defined as - (1) The minimum value below which data are documented as non-detects. (2) Three to ten times the method detection limit. (3) The minimum value of the calibration range.

All sample containers, preservatives, holding times, analyses, method detection limit determinations and quality assurance/quality control requirements shall be in accordance with 40 CFR 136.

Unless otherwise indicated, concentrations refer to the total amount of the constituent present in all phases, whether solid, suspended or dissolved, elemental or combined, including all oxidation states.

\* Influent and effluent only

\*\*1 ng/L = 1 part per trillion.

\*\*\*Utilize USEPA Method 1631E and the digestion procedure described in Section 11.1.1.2 of 1631E, other approved methods may be used for influent (composite) and sludge.

\*\*\*\*USEPA Method OIA-1677.

2. The Permittee shall conduct an analysis for the one hundred and ten (110) organic priority pollutants identified in 40 CFR 122 Appendix D, Table II as amended. This monitoring shall be done annually and reported on monitoring report forms provided by the IEPA and shall consist of the following:

- a. The influent and effluent shall be sampled and analyzed for the one hundred and ten (110) organic priority pollutants. The sampling shall be done during a day when industrial discharges are expected to be occurring at normal to maximum levels.

Samples for the analysis of acid and base/neutral extractable compounds, pesticides and PCBs shall be 24-hour composites.

Six (6) grab samples shall be collected during a 24-hour period to be analyzed for volatile organic compounds. A single analysis for volatile pollutants (Method 624) may be run for each monitoring day by compositing equal volumes of each grab sample directly in the GC purge and trap apparatus in the laboratory.

Wastewater samples must be handled, prepared, and analyzed by gas chromatograph/electron capture detector in accordance with USEPA Method 608 and by gas chromatograph/mass spectrometer in accordance with USEPA Methods 624 and 625 of 40 CFR 136 as amended.



Special Conditions

- b. The sludge shall be sampled and analyzed for the one hundred and ten (110) organic priority pollutants. A sludge sample shall be collected concurrent with a wastewater sample and taken as final sludge.

Sampling and analysis shall conform to USEPA Methods 608, 624 and 625 unless an alternate method has been approved by IEPA.

- c. Sample collection, preservation and storage shall conform to approved USEPA procedures and requirements.

3. In addition, the Permittee shall monitor any new toxic substances as defined by the Clean Water Act, as amended, following notification by the IEPA or USEPA.

4. Permittee shall report any noncompliance with effluent or water quality standards in accordance with Standard Condition 12(f) of this Permit.

5. Analytical detection limits shall be in accordance with 40 CFR 136. Minimum detection limits for sludge analyses shall be in accordance with 40 CFR 503.

D. Pretreatment Reporting

USEPA Region 5 is the Approval Authority for administering the pretreatment program in Illinois. All requests for modification of pretreatment program elements should be submitted in redline/strikeout electronic format and must be sent to USEPA at [r5npdes@epa.gov](mailto:r5npdes@epa.gov).

Permittee shall upon notice from USEPA, modify any pretreatment program element found to be inconsistent with 40 CFR 403.

SPECIAL CONDITION 10. The Permittee has undergone a Monitoring Reduction review and the influent and effluent sample frequency has been reduced for parameters due to sustained compliance. The IEPA may require that the influent and effluent sampling frequency for these parameters be increased without Public Notice. This provision does not limit EPA's authority to require additional monitoring, information or studies pursuant to Section 308 of the CWA.

SPECIAL CONDITION 11. By August 31 of each year the Permittee shall submit annual fiscal data regarding sewerage system operations to the Illinois Environmental Protection Agency/Division of Water Pollution Control/Compliance Assurance Section. The Permittee may use any fiscal year period provided the period ends within twelve (12) months of the submission date.

Submission shall be on forms provided by IEPA titled "Fiscal Report Form For NPDES Permittees".

SPECIAL CONDITION 12. The Permittee shall conduct biomonitoring of the effluent from Discharge Number(s) 001.

Biomonitoring

- A. Acute Toxicity - Standard definitive acute toxicity tests shall be run on at least two trophic levels of aquatic species (fish, invertebrate) representative of the aquatic community of the receiving stream. Testing must be consistent with Methods for Measuring the Acute Toxicity of Effluents and Receiving Waters to Freshwater and Marine Organisms (Fifth Ed.) EPA/821-R-02-012. Unless substitute tests are pre-approved; the following tests are required:

1. Fish - 96 hour static LC<sub>50</sub> Bioassay using fathead minnows (*Pimephales promelas*).
2. Invertebrate 48-hour static LC<sub>50</sub> Bioassay using *Ceriodaphnia*.

- B. Testing Frequency - The above tests shall be conducted using 24-hour composite samples unless otherwise authorized by the IEPA. Samples must be collected in the 18th, 15th, 12th, and 9th month prior to the expiration date of this Permit.

- C. Reporting - Results shall be reported according to EPA/821-R-02-012, Section 12, Report Preparation, and shall be submitted to IEPA, Bureau of Water, Compliance Assurance Section within one week of receipt from the laboratory. Reports are due to the IEPA no later than the 16th, 13th, 10th, and 7th month prior to the expiration date of this Permit.

- D. Toxicity - Should a bioassay result in toxicity to >20% of organisms test in the 100% effluent treatment, the IEPA may require, upon notification, six (6) additional rounds of monthly testing on the affected organism(s) to be initiated within 30 days of the toxic bioassay. Results shall be submitted to IEPA within (1) week of becoming available to the Permittee. Should any of the additional bioassays result in toxicity to ≥50% of organisms tested in the 100% effluent treatments, the Permittee shall immediately notify IEPA in writing of the test results.

- E. Toxicity Reduction Evaluation and Identification - Should the biomonitoring program identify toxicity and result in notification by

Special Conditions

IEPA, the permittee shall develop a plan for toxicity reduction evaluation and identification. The plan shall be developed and implemented in accordance with Toxicity Reduction Evaluation Guidance for Municipal Wastewater Treatment Plants, EPA/833B-99/002, and shall include an evaluation to determine which chemicals have a potential for being discharged in the plant wastewater, a monitoring program to determine their presence or absence and to identify other compounds which are not being removed by treatment, and other measures as appropriate. The Permittee shall submit to the IEPA its plan within ninety (90) days following notification by the IEPA. The Permittee shall implement the plan within ninety (90) days of notification of the permittee above or other such date as is received by IEPA.

The IEPA may modify this Permit during its term to incorporate additional requirements or limitations based on the results of the biomonitoring. In addition, after review of the monitoring results and toxicity reduction evaluation, the IEPA may modify this Permit to include numerical limitations for specific toxic pollutants and additional whole effluent toxicity monitoring to confirm the results of the evaluation. Modifications under this condition shall follow public notice and opportunity for hearing.

**SPECIAL CONDITION 13.** For the duration of this Permit, the Permittee shall determine the quantity of sludge produced by the treatment facility in dry tons or gallons with average percent total solids analysis. The Permittee shall maintain adequate records of the quantities of sludge produced and have said records available for IEPA inspection. The Permittee shall submit to the IEPA, at a minimum, a semi-annual summary report of the quantities of sludge generated and disposed of, in units of dry tons or gallons (average total percent solids) by different disposal methods including but not limited to application on farmland, application on reclamation land, landfilling, public distribution, dedicated land disposal, sod farms, storage lagoons or any other specified disposal method. Said reports shall be submitted to the IEPA by January 31 and July 31 of each year reporting the preceding January thru June and July thru December interval of sludge disposal operations.

Duty to Mitigate. The Permittee shall take all reasonable steps to minimize any sludge use or disposal in violation of this Permit.

Sludge monitoring must be conducted according to test procedures approved under 40 CFR 136 unless otherwise specified in 40 CFR 503, unless other test procedures have been specified in this Permit.

Planned Changes. The Permittee shall give notice to the IEPA on the semi-annual report of any changes in sludge use and disposal.

The Permittee shall retain records of all sludge monitoring, and reports required by the Sludge Permit as referenced in Standard Condition 25 for a period of at least five (5) years from the date of this Permit.

If the Permittee monitors any pollutant more frequently than required by the Sludge Permit, the results of this monitoring shall be included in the reporting of data submitted to the IEPA.

The Permittee shall comply with existing federal regulations governing sewage sludge use or disposal and shall comply with all existing applicable regulations in any jurisdiction in which the sewage sludge is actually used or disposed.

The Permittee shall comply with standards for sewage sludge use or disposal established under Section 405(d) of the CWA within the time provided in the regulations that establish the standards for sewage sludge use or disposal even if the permit has not been modified to incorporate the requirement.

The Permittee shall ensure that the applicable requirements in 40 CFR Part 503 are met when the sewage sludge is applied to the land, placed on a surface disposal site, or fired in a sewage sludge incinerator.

Monitoring reports for sludge shall be reported on the form titled "Sludge Management Reports" to the following address:

Illinois Environmental Protection Agency  
Bureau of Water  
Compliance Assurance Section  
Mail Code #19  
1021 North Grand Avenue East  
Post Office Box 19276  
Springfield, Illinois 62794-9276

**SPECIAL CONDITION 14.** The Permittee shall record monitoring results on Discharge Monitoring Report (DMR) Forms using one such form for each outfall each month.

In the event that an outfall does not discharge during a monthly reporting period, the DMR Form shall be submitted with no discharge indicated.

The Permittee may choose to submit electronic DMRs (NetDMRs) instead of mailing paper DMRs to the IEPA. More information, including registration information for the NetDMR program, can be obtained on the IEPA website, <http://www.epa.state.il.us/water/net-dmr/index.html>.

The completed Discharge Monitoring Report forms shall be submitted to IEPA no later than the 25th day of the following month, unless otherwise specified by the permitting authority.

Special Conditions

Permittees not using NetDMRs shall mail Discharge Monitoring Reports with an original signature to the IEPA at the following address:

Illinois Environmental Protection Agency  
Division of Water Pollution Control  
1021 North Grand Avenue East  
Post Office Box 19276  
Springfield, Illinois 62794-9276

Attention: Compliance Assurance Section, Mail Code # 19

SPECIAL CONDITION 15. This Permit will be modified to include alternative or additional final limitations pursuant to revisions in 35 Illinois Administrative Code Subtitle C pursuant to the Chicago Area Waterway System Use Attainability Analysis (UAA) report or any associated rule making by the IPCB.

SPECIAL CONDITION 16. The Permittee shall work towards the goals of achieving no discharges from sanitary sewer overflows or basement back-ups and ensuring that overflows or back-ups, when they do occur do not cause or contribute to violations of applicable standards or cause impairment in any adjacent receiving water. Overflows from sanitary sewers are expressly prohibited by this permit and by Ill. Adm. Code 306.304. In order to accomplish these goals of complying with this prohibition and mitigating the adverse impacts of any such overflows if they do occur, the Permittee shall (A) identify, monitor, and report to IEPA all SSOs that do occur, and (B) develop, implement and submit to the IEPA a Capacity, Management, Operations, and Maintenance (CMOM) plan which includes an Asset Management strategy within 12 months of the effective date of this Permit or review and revise any existing plan accordingly. The Permittee shall modify the Plan to incorporate any comments that it receives from IEPA and shall implement the modified plan as soon as possible. The Permittee should work as appropriate, in consultation with affected authorities at the local, county, and/or state level to develop the plan components involving third party notification of overflow events. The Permittee may be required to construct additional sewage transport and/or treatment facilities in future permits or other enforceable documents should the implemented CMOM plan indicate that the Permittee's facilities are not capable of conveying and treating the flow for which they are designed.

The CMOM plan shall include the following elements:

A. Measures and Activities:

1. A complete map and system inventory for the collection system owned and operated by the Permittee;
2. Organizational structure; budgeting; training of personnel; legal authorities; schedules for maintenance, sewer system cleaning, and preventative rehabilitation; checklists, and mechanisms to ensure that preventative maintenance is performed on equipment owned and operated by the Permittee;
3. Documentation of unplanned maintenance;
4. An assessment of the capacity of the collection and treatment system owned and operated by the Permittee at critical junctions and immediately upstream of locations where overflows and back-ups occur or are likely to occur; use flow monitoring as necessary;
5. Identification and prioritization of structural deficiencies in the system owned and operated by the Permittee;
6. Operational control, including documented system control procedures, scheduled inspections and testing;
7. The Permittee shall develop and implement an Asset Management strategy to ensure the long-term sustainability of the collection system. Asset management shall be used to assist the Permittee in making decisions on when it is most appropriate to repair, replace or rehabilitate particular assets and develop long-term funding strategies; and
8. Asset management shall include but is not limited to the following elements:
  - a. Asset Inventory and State of the Asset;
  - b. Level of Service;
  - c. Critical Asset Identification;
  - d. Life Cycle Cost; and
  - e. Long-Term Funding Strategy.

B. Design and Performance Provisions:

1. Monitor the effectiveness of CMOM;
2. Upgrade the elements of the CMOM plan as necessary; and
3. Maintain a summary of CMOM activities.

C. Overflow Response Plan:

1. Know where overflows and back-ups within the facilities owned and operated by the Permittee occur;
2. Respond to each overflow or back-up to determine additional actions such as clean up; and
3. Locations where basement back-ups and/or sanitary sewer overflows occur shall be evaluated as soon as practicable for excessive inflow /infiltration, obstructions or other causes of overflows or back-ups as set forth in the System Evaluation Plan.

Special Conditions

## D. System Evaluation Plan:

1. Summary of existing SSO and Excessive I/I areas in the system and sources of contribution;
2. Evaluate plans to reduce I/I and eliminate SSOs;
3. Special provisions for Pump Stations and force mains and other unique system components; and
4. Construction plans and schedules for correction.

## E. Reporting and Monitoring Requirements:

1. Program for SSO detection and reporting; and
2. Program for tracking and reporting basement back-ups, including general public complaints.

## F. Third Party Notice Plan:

1. Describes how, under various overflow scenarios, the public, as well as other entities, would be notified of overflows within the Permittee's system that may endanger public health, safety or welfare;
2. Identifies overflows within the Permittee's system that would be reported, giving consideration to various types of events including events with potential widespread impacts;
3. Identifies who shall receive the notification;
4. Identifies the specific information that would be reported including actions that will be taken to respond to the overflow;
5. Includes a description of the lines of communication; and
6. Includes the identities and contact information of responsible POTW officials and local, county, and/or state level officials.

For additional information concerning USEPA CMOM guidance and Asset Management please refer to the following web site addresses.

[http://www.epa.gov/npdes/pubs/cmom\\_guide\\_for\\_collection\\_systems.pdf](http://www.epa.gov/npdes/pubs/cmom_guide_for_collection_systems.pdf) and

[http://water.epa.gov/type/watersheds/wastewater/upload/guide\\_smallsystems\\_assetmanagement\\_bestpractices.pdf](http://water.epa.gov/type/watersheds/wastewater/upload/guide_smallsystems_assetmanagement_bestpractices.pdf)

**SPECIAL CONDITION 17.** Outfall 004 from the Wet Weather Equalization Basin is an emergency high level outfall. Discharges from this outfall are prohibited. These prohibited discharges, if they occur, are subject to conditions A - E listed below.

## (A) Definitions

"Severe property damage" means substantial physical damage to property, damage to the treatment facilities which causes them to become inoperable, or substantial and permanent loss of natural resources which can reasonably be expected to occur in the absence of a discharge. Severe property damage does not mean economic loss caused by delays in production.

## (B) Notice

- (1) Anticipated discharge. If the Permittee knows in advance of the need for a prohibited discharge from Discharge Number 004, it shall submit prior notice, if possible at least ten days before the date of the discharge.
- (2) Unanticipated discharge. The Permittee shall submit notice of an unanticipated discharge as required in Standard Condition 12(f) of this Permit (24-hour notice).

## (C) Limitation on IEPA enforcement discretion. The IEPA may take enforcement action against a Permittee for prohibited discharges from Discharge Number 004, unless:

- (1) Discharge was unavoidable to prevent loss of life, personal injury, or severe property damage;
- (2) There was no feasible alternative to the discharge, such as the use of auxiliary treatment facilities, retention of untreated wastes, or maintenance during normal periods of equipment downtime. This condition is not satisfied if adequate back-up equipment should have been installed in the exercise of reasonable engineering judgment to prevent a discharge which occurred during normal periods of equipment downtime or preventive maintenance; and
- (3) The Permittee submitted notices as required under Standard Condition 12(f) of this Permit.

(D) Emergency discharges when discharging, shall be monitored daily by grab sample for BOD<sub>5</sub>, Suspended Solids and Fecal Coliform. The Permittee shall submit the monitoring results on Discharge Monitoring Report forms using one such form for each month in which discharging occurs. The Permittee shall specify the number of discharges per month that occur and shall report this number in the quantity daily maximum column. The Permittee shall report the highest concentration value of BOD<sub>5</sub>, Suspended Solids and Fecal Coliform discharged in the concentration daily maximum column.

## (E) The above limitations on enforcement discretion apply only with respect to IEPA. They do not serve as a limitation on the ability of any other governmental agency or person to bring an enforcement action in accordance with the Federal Clean Water Act.

Special Conditions

SPECIAL CONDITION 18. The provisions of 40 CFR Section 122.41(m) & (n) are incorporated herein by reference.

SPECIAL CONDITION 19. The Permittee shall develop and submit to the Agency a Phosphorus Discharge Optimization Plan within eighteen (18) months of the effective date of this permit. The plan shall include a schedule for the implementation of these optimization measures. Annual progress reports on the optimization of the existing treatment facilities shall be submitted to the Agency by March 31 of each year. In developing the plan, the Permittee shall evaluate a range of measures for reducing phosphorus discharges from the treatment plant, including possible source reduction measures, operational improvements, and minor facility modifications that will optimize reductions in phosphorus discharges from the wastewater treatment facility. The Permittee's evaluation shall include, but not be limited to, an evaluation of the following optimization measures:

- A. WWTF influent reduction measures.
  1. Evaluate the phosphorus reduction potential of users.
  2. Determine which sources have the greatest opportunity for reducing phosphorus (i.e., industrial, commercial, institutional, municipal and others).
    - a. Determine whether known sources (i.e., restaurant and food preparation) can adopt phosphorus minimization and water conservation plans.
    - b. Evaluate and implement local limits on influent sources of excessive phosphorus.
- B. WWTF effluent reduction measures.
  1. Reduce phosphorus discharges by optimizing existing treatment processes.
    - a. Adjust the solids retention time for nitrification, denitrification, or biological phosphorus removal.
    - b. Adjust aeration rates to reduce dissolved oxygen and promote simultaneous nitrification-denitrification.
    - c. Add baffles to existing units to improve microorganism conditions by creating divided anaerobic, anoxic, and aerobic zones.
    - d. Change aeration settings in plug flow basins by turning off air or mixers at the inlet side of the basin system.
    - e. Minimize impact on recycle streams by improving aeration within holding tanks.
    - f. Reconfigure flow through existing basins to enhance biological nutrient removal.
    - g. Increase volatile fatty acids for biological phosphorus removal.

SPECIAL CONDITION 20. The Permittee shall, within eighteen (18) months of the effective date of this permit, prepare and submit to the Agency a feasibility study that identifies the method, timeframe, and costs of reducing phosphorus levels in its discharge to a level consistently meeting a potential future effluent limit of 1 mg/L, 0.5 mg/L and 0.1 mg/L. The study shall evaluate the construction and O & M costs of the application of these limits on a monthly, seasonal and annual average basis.

SPECIAL CONDITION 21. The Permittee shall submit to this Agency for review and approval one year from the effective date of this permit a monitoring plan that will demonstrate that the treated CSO discharges from Outfall 003 do not cause or contribute to a violation of any applicable water quality standard outlined in 35 Ill. Adm. Code 302.

SPECIAL CONDITION 22. The IEPA or District may implement a modification for this Permit at any time to include necessary provisions of the Illinois Environmental Protection Act, once the final Chicago Area Waterway System Use Attainability Analysis is finalized. If necessary, Public Notice of such modifications and opportunity for public hearing shall be provided.