



PRELIMINARY INQUIRY FOR AN AIR POLLUTION PERMIT

STATE OF ILLINOIS
ENVIRONMENTAL PROTECTION AGENCY
DIVISION OF AIR POLLUTION CONTROL
1021 NORTH GRAND AVENUE EAST
P. O. BOX 19506
SPRINGFIELD, ILLINOIS 62794-9506

The Illinois Environmental Protection Agency is involved in a program to improve our environment. The Division of Air Pollution Control (a Division of the Environmental Protection Agency) administers a fact-finding and action program for cleaner air. This program requires permits for most new and existing sources capable of polluting the air.

This preliminary inquiry form has been prepared to help you establish communications with the Division related to the permit program. If you provide the Division with the information requested below, then the Division can advise you of the forms and procedures required to obtain an air pollution permit.

The accuracy of the Division's response to this inquiry is dependent upon the clarity and completeness of the information you provide. Since no records of this correspondence will be retained by the Illinois EPA, your response must be self contained.

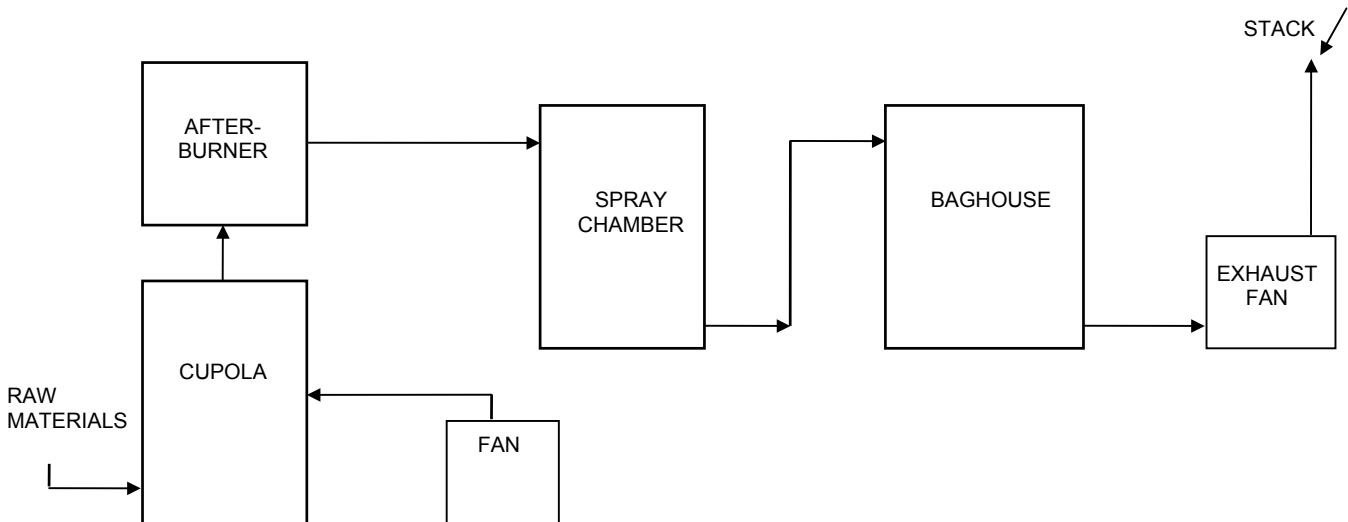
Please provide the name and mailing address to whom our response should be mailed.

Please provide a labeled diagram of your process or operation. In preparing such a diagram show each emission unit and each item of air pollution control equipment and any other item of equipment which can affect the emission of air contaminants. Draw in arrows showing the direction of product and gas flow. Identify each item of equipment and each stack or vent by name or by using symbols with appropriate key to their meaning. You may have more than one source of air pollution. It may be easier to show each source and any related air pollution control system as a separate increment on a separate diagram. In any case, please identify each of your systems or increments. If they are interconnected, show where and how they relate to each other.

EXAMPLE

To further clarify the type of labeled diagram needed, we have included on this form an example of a labeled diagram of a process. The Example below is a block diagram of an iron-melting operation which consists of a cupola and a method for removing most of the resulting air pollutants. In this example the air pollution control system consists of an afterburner, to burn the carbon monoxide, and a spray chamber and bag collector to control the solid particles emitted by the cupola.

Your response to this Preliminary Inquiry for an air pollution permit will not be considered an application for a permit. Our response is not intended to be, nor should it be construed as, a waiver or release of any rights of the Illinois EPA of any kind whatsoever, or any cause of action which has or may arise.



Send all correspondence to:

State of Illinois
Environmental Protection Agency
Division of Air Pollution Control
1021 North Grand Avenue East
P. O. Box 19506
Springfield, Illinois 62794-9506